

C-SERIES **C6,000E-C10,000E**

The electric multi-directional forklift designed for the safe, space saving and productive handling of long and bulky loads.

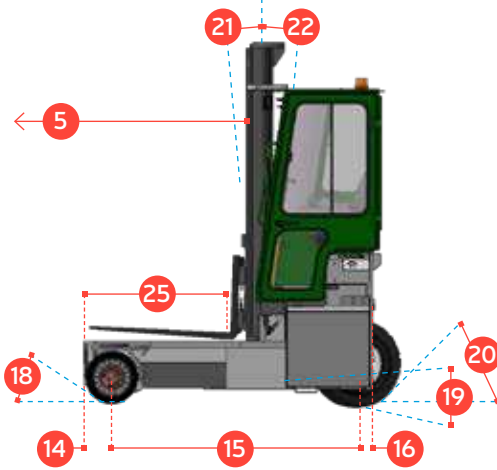
COMBiLiFT

LIFTING INNOVATION

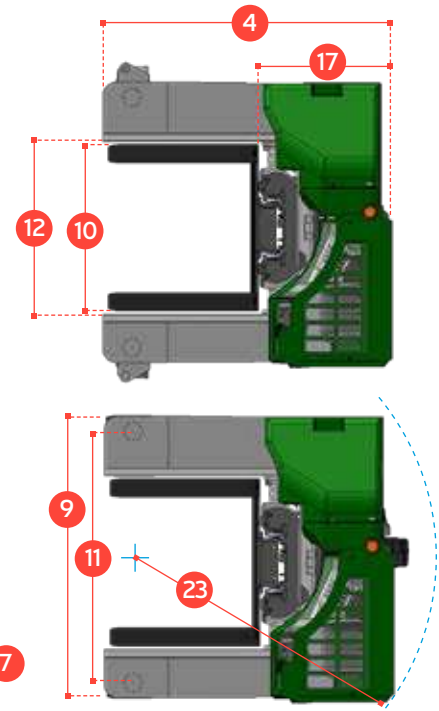
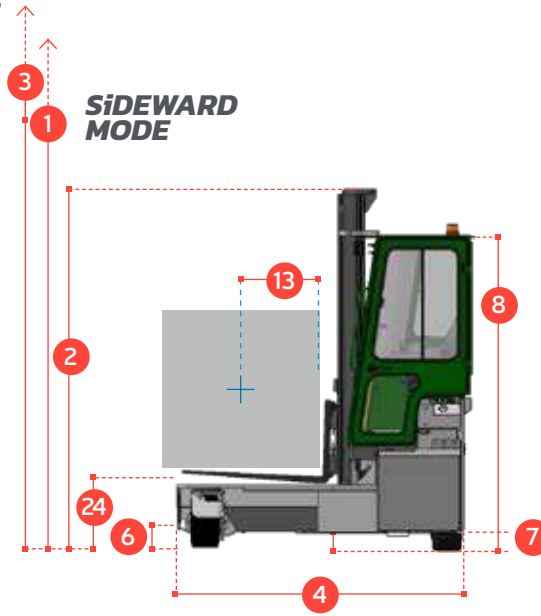


C-SERIES C6,000E-C10,000E

**FRONTAL
MODE**



**SI DEWARD
MODE**



REF.	DESCRIPTION	C6000 E	C8000 E	C10,000 E
1a	Max. Lift Height		159"	
1b	Freelift Height		0"	
2	Height Mast Closed		112"	
3	Max. (Mast raised)		192"	
4	Overall Length	77"	91"	98"
5	Mast Travel	37"	51"	57"
6	Ground Clearance Under Mast		6"	
7	Ground Clearance to Center of Wheelbase		4¼"	
8	Height Over Cab (without work lights)		96"	
9	Width		89"	
10	Outside Spread of Fork Arms		53"	
11	Track Front		79¾"	
12	Frame Opening		55"	
13	Load Center Distance	18"	24"	24"
14	Overhang Front		8¾"	
15	Wheelbase	61"	75"	80½"
16	Overhang Back		5" x 5¼"	
17	Length From Face of Fork	43½"	43½"	45½"
18	Approach Angle		45°	
19	Ramp Angle		17°	
20	Departure Angle		45°	
21	Forward Tilt		3°	
22	Backward Tilt		5°	
23	Minimum Outside Radius	88"	91"	98"
24	Platform Height		19"	
25	Platform Length	33½"	47"	53"
A	Capacity	6000 lbs	8000 lbs	10,000 lbs
B	Unladen Weight	13,900 lbs	14,650 lbs	15,100 lbs
C	Maximum Ground Speed		6 mph	
D	Gradeability		10%	
E	Battery Capacity		80 V / 620 Ah	
F	Fork Section	2" x 6" x 33½"	2" x 6" x 47"	2" x 6" x 53"
G	405 x 305 x 220 Front Tire (Solid Rubber)		OD 16" / Width 9"	
H	27 x 10-12 Rear Tire		OD 27" / Width 10"	
I	Standard Color		Green & Gray	
J	AC Electric Traction Motor x 2		80 V / 7 HP	
K	AC Electric Pump Motor		80V / 25 HP	

Multi-Directional



Features Include:

- Rubber Mounted Cabin
- AC Motor Technology
- Multi-Directional Operation
- Load Sensing Steering
- Curtis AC Software
- 4 Way Lever Positioning of Wheels
- 2 Wheel Drive

Distributed by:

International Patent Application No. PCT/EP2014/053066; UK Patent Application No. GB 1302811.3

COMBILIFT HAS A POLICY OF CONTINUOUS PRODUCT DEVELOPMENT AND RESERVES THE RIGHT TO ALTER SPECIFICATIONS WITHOUT PRIOR NOTICE. SPECIFICATIONS AND/OR DIMENSIONS MAY VARY FROM THOSE ILLUSTRATED IN SOME COUNTRIES.

303 CONCORD STREET,
GREENSBORO,
NORTH CAROLINA 27406

TOLL FREE: 1-877 COMBI 56
TEL: 336-378-8884
INFO@COMBILIFT.COM

combilift.com