

C-SERIES C6,000-C10,000

The multi-directional forklift designed for the safe, space saving and productive handling of long and bulky loads.

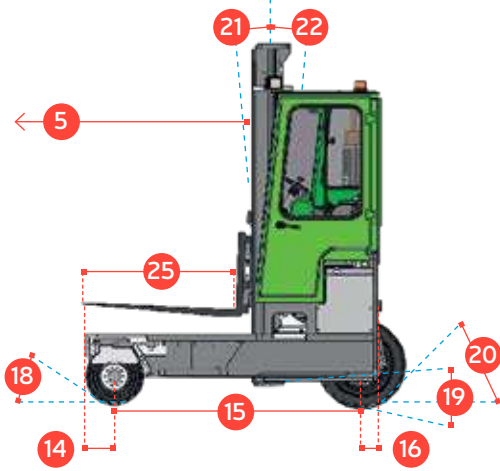
COMBILIFT

LIFTING INNOVATION

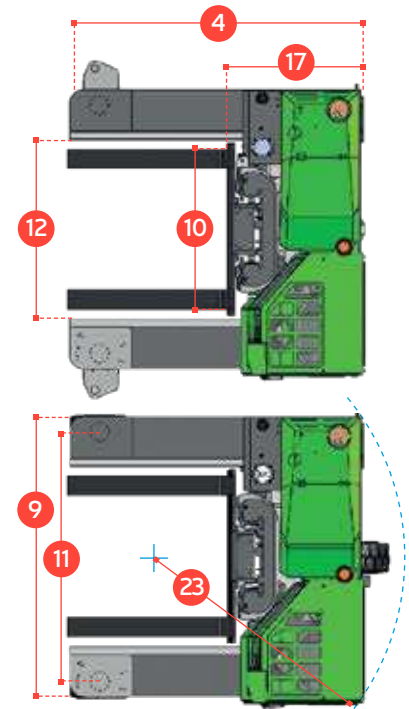
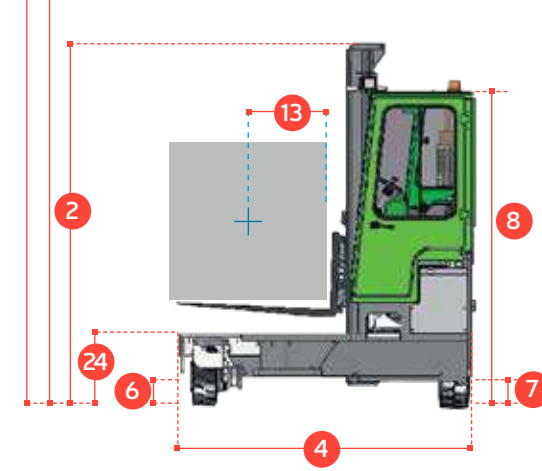


C-SERIES C6,000-C10,000

FRONTAL MODE

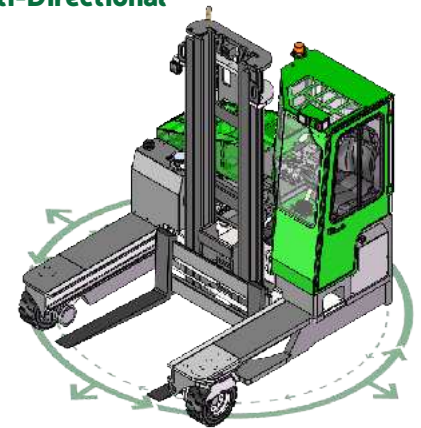


SIDEWARD MODE



REF.	DESCRIPTION	C6,000	C8,000	C10,000
1a	Max. Lift Height		159"	
1b	Freelift Height		0"	
2	Height Mast Closed		113"	
3	Max. (Mast raised)		192"	
4	Overall Length	77"	91"	98"
5	Mast Travel	37"	51"	55"
6	Ground Clearance Under Mast		6"	
7	Ground Clearance to Center of Wheelbase	8"	8"	6"
8	Height Over Cab (Without work lights)		96"	
9	Width		86"	
10	Outside Spread of Fork Arms		53"	
11	Track Front		78"	
12	Frame Opening		55"	
13	Load Center Distance		24"	
14	Overhang Front		10"	
15	Wheelbase	62"	75"	83"
16	Overhang Back		6"	
17	Length From Face of Fork	43"	43"	45"
18	Approach Angle		45°	
19	Ramp Angle		29°	
20	Departure Angle		45°	
21	Forward Tilt		3°	
22	Backward Tilt		5°	
23	Minimum Outside Radius	78"	92"	98"
24	Platform Height		21"	
25	Platform Length	33"	47"	53"
A	Capacity	6,000 lbs	8,000 lbs	10,000 lbs
B	Unladen Weight	13,300 lbs	13,800 lbs	15,000 lbs
C	Maximum Ground Speed		9 mph	
D	Gradeability		15%	
E	3 ltr GM LPG		65 HP	
F	Electrics		12 Volt	
G	Fork Section 6" x 2" x	33"	47"	53"
H	200 / 50 x 10 Front Tire		OD 18" / Width 8"	
I	27 x 10 - 12 Rear Tire		OD 27" / Width 10"	
J	Standard Color		Green and Gray	
K	Suspension Seat		KAB Model 116	

Multi-Directional



Features Include:

- Rubber Mounted Half Open Cabin
- Multi-Direction Operation
- 3 Wheel Hydrostatic Drive
- Load Sensing Steering
- 4 Way Lever Positioning of Wheels
- Hydraulic Oil Cooler

Distributed by:

European Patent No. 2167416; Brazilian Patent No. P10811954-6; Australian Patent No. 2008253242

COMBILIFT HAS A POLICY OF CONTINUOUS PRODUCT DEVELOPMENT AND RESERVES THE RIGHT TO ALTER SPECIFICATIONS WITHOUT PRIOR NOTICE. SPECIFICATIONS AND/OR DIMENSIONS MAY VARY FROM THOSE ILLUSTRATED IN SOME COUNTRIES.

303 CONCORD STREET,
GREENSBORO,
NORTH CAROLINA 27406

TOLL FREE: 1-877 COMBI 56
TEL: 336-378-8884
INFO@COMBILIFT.COM

combilift.com