

# COMBi-CB8

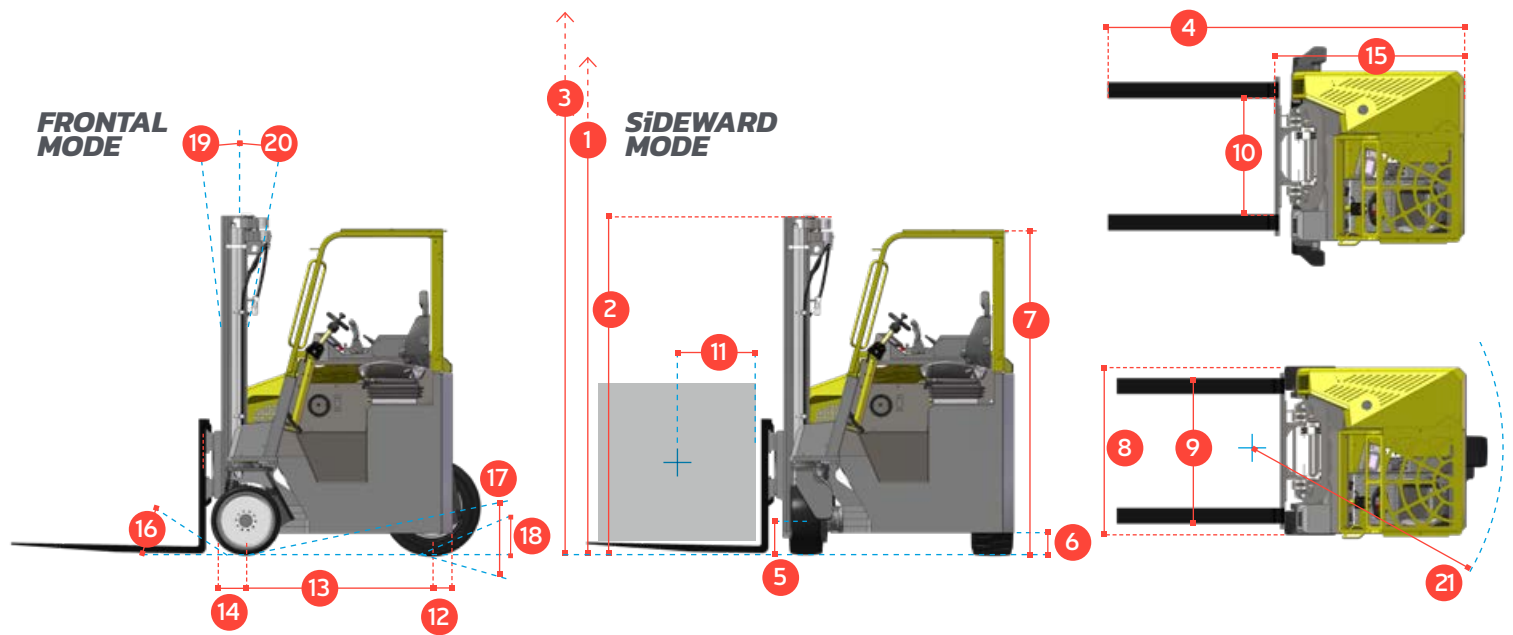
The innovative and compact Combi-CB8 is designed to increase productivity, improve safety and help maximize your storage capacity both indoors & outdoors.

# COMBiLiFT

LIFTING INNOVATION

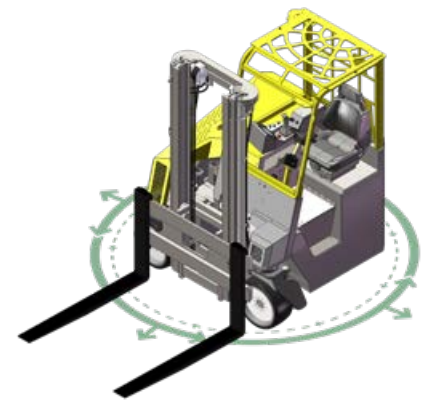


# COMBI-CB8



	DESCRIPTION	STANDARD
1a	Standard. Lift Height	159"
1b	Free Lift Height	0"
2	Height Mast Closed	114"
3	Max. (Mast raised)	198 <sup>3</sup> / <sub>4</sub> "
4	Overall Length	114"
5	Ground Clearance Under Mast	6"
6	Ground Clearance to Wheelbase Center	6"
7	Height of Overhead Guard	92 <sup>3</sup> / <sub>4</sub> "
8	Width	64"
9	Outside Spread of Fork Arms	59"
10	Track Front	55"
11	Load Center Distance	24"
12	Overhang Front	13"
13	Wheel Base	53 <sup>1</sup> / <sub>4</sub> "
14	Overhang Back	6"
15	Length From Face of Fork	72"
16	Approach Angle	30°
17	Ramp Angle	28°
18	Departure Angle	30°
19	Forward Tilt	3°
20	Backward Tilt	5°
21	Minimum Outside Radius	66"
A	Capacity	8,000 lbs
B	Unladen Weight	16,700 lbs
C	Maximum Ground Speed	8 mph
D	Gradeability	10%
E	kubota wg250 or v2403 / 3ltr GM LPG	62 HP /65 HP
F	Electrics	12 Volt
G	Fork Section	6" x 2" x 42"
H	21 x 9 x 15 Front Tire x 2 (Solid Rubber)	OD 21" / Width 9"
I	28 x 12.5 – 15 Rear Tire x 1 (Super Elastic)	OD 28" / Width 12 <sup>1</sup> / <sub>2</sub> "
J	Standard Color	Green and Gray

## Multi-Directional



### Features Include:

- Rubber Mounted Cabin
- Multi-Directional Operation
- Load Sensing Steering
- 4 Way Lever Positioning of Wheels
- 3 Wheel Drive
- +/- 4" sideshift

### Distributed by:

Protected by Design Registration Copyright: European Community No.: 000725668-0001; US No.: D579, 624; Canadian No.: 123292 | Australian No.: 318370; Russian Federation No.: 70814 | Korean No.: 30-0516087; Japanese No.: 1330896; Taiwan No.: D126056; Chinese No.: ZL200730329732.6

COMBILIFT HAS A POLICY OF CONTINUOUS PRODUCT DEVELOPMENT AND RESERVES THE RIGHT TO ALTER SPECIFICATIONS WITHOUT PRIOR NOTICE. SPECIFICATIONS AND/OR DIMENSIONS MAY VARY FROM THOSE ILLUSTRATED IN SOME COUNTRIES.

303 CONCORD STREET,  
GREENSBORO,  
NORTH CAROLINA 27406

TOLL FREE: 1-877 COMBI 56  
TEL: 336-378-8884  
INFO@COMBILIFT.COM

[combilift.com](http://combilift.com)