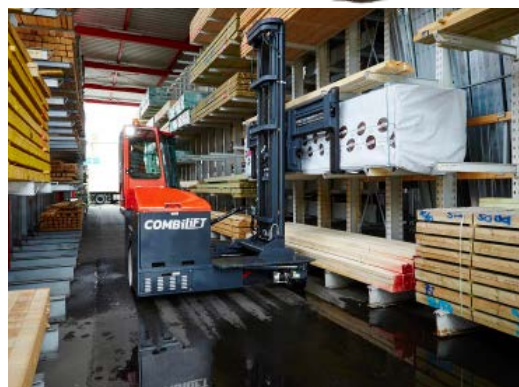


C-SERIES C10,000 XLE

The electric multi-directional forklift designed for the safe, space saving and productive handling of long and bulky loads.

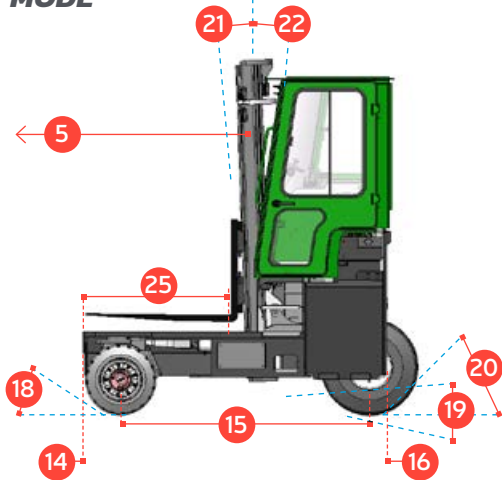
COMBILIFT

LIFTING INNOVATION

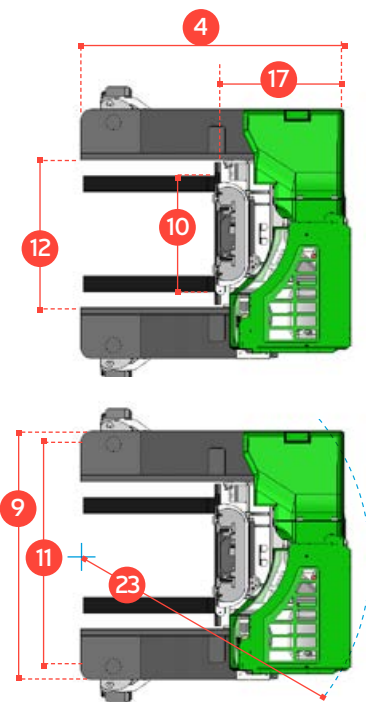
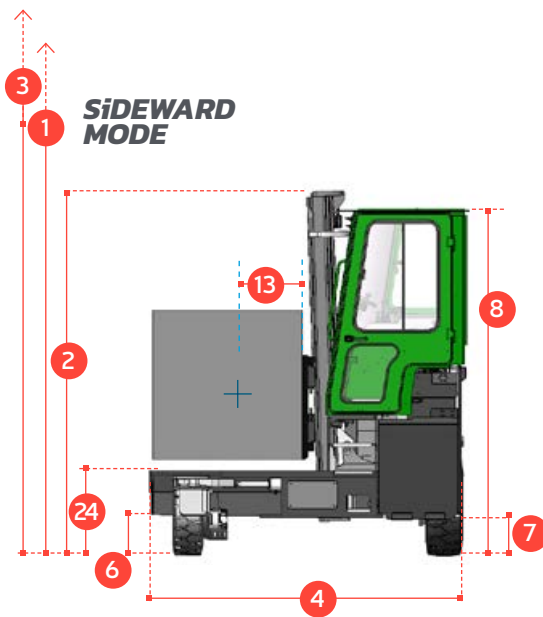


C-SERIES C10,000 XLE

FRONTAL MODE



SIWARD MODE



REF.	DESCRIPTION	C10,000 XLE
1a	Max. Lift Height	159
2	Height Mast Closed	118
3	Max. (Mast raised)	197
4	Overall Length	99 1/2
5	Mast Travel	51
6	Ground Clearance Under Mast	11
7	Ground Clearance to Centre of Wheelbase	12
8	Height Over Cab (Without work - lights)	110
9	Width	93
10	Outside Spread of Fork Arms	53
11	Track Front	83"
12	Frame Opening	55
13	Load Centre Distance	23 1/2
14	Overhang Front	12
15	Wheelbase	81
16	Overhang Back	7"
17	Length From Face of Fork	52"
18	Approach Angle	45°
19	Ramp Angle	29°
20	Departure Angle	45°
21	Forward Tilt	3°
22	Backward Tilt	5°
23	Minimum Outside Radius	98 1/2
24	Platform Height	27
25	Platform Length	47 1/4
A	Capacity	10000 lbs
B	Unladen Weight	15653
C	Maximum Ground Speed	9 mph
D	Gradability	10%
E	Battery Capacity (V / Ah)	80V / 700Ah
F	Fork Section	6 x 2 x 47
G	23x10x12 Superelastic Front Tyre	OD 23 / Width 10
H	355/65-15 Superelastic Rear Tyre	OD 31 1/2 / Width 11 1/2
I	Standard Colour	Green & Grey
J	AC Electric Traction Motor x 3	80V / 5kW Rear & 2 x 80V 3kW Front
K	AC Electric Pump Motor	80V / 19kW

Multi-Directional



Features Include:

- Most spacious combilift cabin yet
- New all wheel traction system
- Higher ground Clearance
- Larger cushioned front & rear tyres
- Multi-Direction Operation
- Load Sensing Steering
- Curtis AC Software
- 4 Way Lever Positioning of Wheels

International Patent Application No. PCT/EP2014/053066; UK Patent Application No. GB 1302811.3

COMBILIFT HAS A POLICY OF CONTINUOUS PRODUCT DEVELOPMENT AND RESERVES THE RIGHT TO ALTER SPECIFICATIONS WITHOUT PRIOR NOTICE. SPECIFICATIONS AND/OR DIMENSIONS MAY VARY FROM THOSE ILLUSTRATED IN SOME COUNTRIES.

303 CONCORD STREET,
GREENSBORO,
NORTH CAROLINA 27406

TOLL FREE: 1-877 COMBI 56
TEL: 336-378-8884
INFO@COMBILIFT.COM

combilift.com