

# PRE-SHIFT INSPECTION

Date: \_\_\_\_\_ Time: \_\_\_\_\_  
 Operator: \_\_\_\_\_  
 Shift: \_\_\_\_\_ Truck #: \_\_\_\_\_

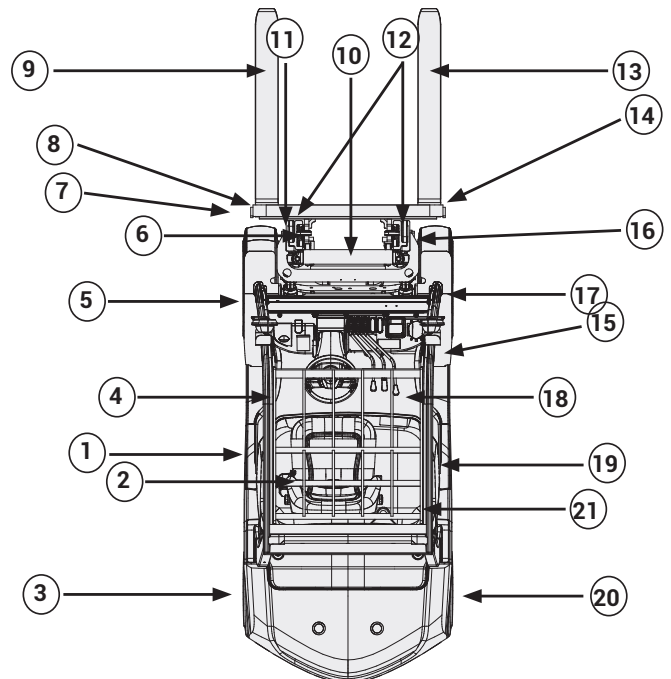
## Electric Lift Truck Check List

Check NO where issues are detected

Visual Inspection	
NO	COMMENTS
1.	<input type="checkbox"/> Battery _____ Vent Caps _____ Connector Covers _____ Cables _____
2.	<input type="checkbox"/> Seat Belt _____
3.	<input type="checkbox"/> Rear Tire (Left) _____
4.	<input type="checkbox"/> Overhead Guard (left) _____
5.	<input type="checkbox"/> Front Tire (left) _____
6.	<input type="checkbox"/> Tilt Cylinder (left) _____
7.	<input type="checkbox"/> Carriage _____
8.	<input type="checkbox"/> Fork Locking Pin (left) _____
9.	<input type="checkbox"/> Fork (left) _____ Attachment if applicable _____
10.	<input type="checkbox"/> Mast _____
11.	<input type="checkbox"/> Left Cylinder _____
12.	<input type="checkbox"/> Lift Chains _____
13.	<input type="checkbox"/> Fork (right) _____
14.	<input type="checkbox"/> Fork Locking Pin (right) _____
15.	<input type="checkbox"/> Carriage _____
16.	<input type="checkbox"/> Tilt Cylinder (right) _____
17.	<input type="checkbox"/> Front Tire (right) _____
18.	<input type="checkbox"/> Hydraulic Oil _____
19.	<input type="checkbox"/> Battery Connectors _____
20.	<input type="checkbox"/> Rear Tire (right) _____
21.	<input type="checkbox"/> Overhead Guard (right) _____

Operational Inspection	
NO	COMMENTS
A.	<input type="checkbox"/> Listen for Unusual Noise _____ Noise _____
B.	<input type="checkbox"/> Check Service & Parking Brake _____ _____
C.	<input type="checkbox"/> Lift Control _____
D.	<input type="checkbox"/> Tilt Control _____
E.	<input type="checkbox"/> Forward Driving _____ Accelerator _____ Steering _____ Braking _____
F.	<input type="checkbox"/> Reverse Driving _____ Accelerator _____ Steering _____ Braking _____ Back-Up Alarm _____
G.	<input type="checkbox"/> Lights _____
H.	<input type="checkbox"/> Horn _____
I.	<input type="checkbox"/> Gauges _____
J.	<input type="checkbox"/> Oil Spots on Floor _____

### Walkaround



**CAUTION:** This is not a complete list of all items which may require attention. Operators are responsible for ensuring that the lift truck is in proper working condition in accordance with manufacturer's specifications.

**DO NOT OPERATE** a lift truck if a problem is detected. Remove the keys, tag "Out of Operation," and report immediately.

**SIGNATURE:** \_\_\_\_\_