

SIDE-ENTRY END RIDER



ERGONOMIC PERFORMER



- ▶ 6000 & 8000 lb. Capacity
- ▶ AC Drive Motor
- ▶ Power Steering
- ▶ Automatic Parking Brake
- ▶ Multifunction Control Handle
- ▶ Lithium-Ion Compatible

ER1-EF60 | ER1-EF80

YOUR WAREHOUSE PARTNER

THE TOYOTA SIDE-ENTRY END RIDER is ergonomically friendly, equipped with standard power steering, best-in-class turning radius, and easy pallet entry and exit, to get the job done. The Side-Entry End Rider assists operators with speed reduction in turns, making it easier to transport loads when cornering, ideal for a combination of applications. Trust Toyota's Side-Entry End Rider to be the ideal truck for dock work, cross-warehouse hauling, and low-level order picking.

SIDE-ENTRY END RIDER ADVANTAGES

- ▶ **AC DRIVE MOTOR** provides efficient, low-maintenance operation and powerful performance
- ▶ **PIN CODE ACCESS PAD OPTION** reduces the potential for unauthorized users, allowing up to 10 different users
- ▶ **POWER STEERING** decreases the amount of effort required to steer, increases operator comfort and efficiency
- ▶ **COLD CONDITIONING PACKAGE OPTION** includes cold storage-specific oil, greasable steer bearing and linkage bushings, and stainless steel linkage pins for use in cold storage environments
- ▶ **FORWARD FACING OPERATOR POSITION** provides a clear line of sight to operators when picking and placing loads
- ▶ **DUAL LIFT CYLINDERS** provide efficient hydraulic power for smooth, effortless lifting to reduce component wear
- ▶ **MULTIFUNCTION CONTROL HANDLE** with ergonomically positioned handgrips, dual thumbwheels, and lift, lower, and horn buttons for simplified operation of all controls with either hand





144^{IN.}

FORK OPTION

UP TO 8000^{LB.}

CAPACITY

BUILT TO PERFORM

Having to keep up with the demands of your business means you need to maximize your uptime. Toyota's Side-Entry End Rider does just that. Electric disc brakes and regenerative plugging increase your uptime with longer-lasting parts and efficient operations to reduce energy costs.

Designed with steel pull rods, and stainless steel lift pins, the Side-Entry End Rider can handle the toughest loads to keep you working throughout the day.

OPERATOR COMFORT

Toyota's Side-Entry End Rider is equipped with power steering, an operator backrest, and a soft cushioned floor mat to keep your employees comfortable. Storage trays, optional power hook-ups, and accessory bars let you customize this end rider to suit your application and operators.



TOYOTA MOVES WITH YOU



A NAME YOU CAN TRUST

Our material handling equipment carries something no others can: The Toyota name. As one of the most recognized and respected global brands, the Toyota name is synonymous with quality, durability, and value. It also provides a peace of mind that few companies of any kind can match.

Every Toyota Forklift is built using the world-renowned Toyota Production System (TPS), which features Just-in-Time parts delivery and quality checks at every step of the manufacturing process.

It's all part of the Toyota philosophy of "kaizen," the dedication to continuous improvement. Instituted by our founder more than 80 years ago, it's a principle that still guides us today. As long as our forklifts carry the Toyota name, we'll continue striving to improve processes and quality.

THE TOYOTA 360 SUPPORT PROMISE

In addition to moving more pallets more quickly through your facility, you can count on Toyota's dedication to quality and world-renown manufacturing methods to deliver unprecedented uptime and lower maintenance costs. Toyota 360 Support comes standard with every Toyota Order Picker, meaning you benefit from an industry-leading two-year parts warranty, the support of over 65 dealerships, 3500+ Toyota Certified Technicians, and guaranteed 4-hour emergency response time.

65⁺
DEALERSHIPS

3500⁺
TOYOTA CERTIFIED TECHNICIANS

4-HOUR
GUARANTEED
EMERGENCY RESPONSE TIME

SIDE-ENTRY END RIDER

CAPACITY
6000 - 8000 LBS.

FORK SIZE RANGE
32 - 144 IN.

FORK OVERALL WIDTH
22 - 27.5 IN.

INDUSTRIES



Beverage



Cold Storage



Food Storage



General
Warehousing



Retail

STANDARD FEATURES

PERFORMANCE

- 24 Volt Electrical System
- AC Drive Motor
- Regenerative Plugging
- Heavy Duty Spring Loaded Casters
- Battery Discharge Indicator with Lift Interrupt
- Hour Meter Indicator
- Horn
- Electric Power Steering
- Automatic Parking Brake
- UL Type "E" Construction

BODY/EXTERIOR DESIGN

- 13.13" Long x 31" Wide x 31" High Battery Compartment
- Dual Lift Cylinders
- Steel Pull Rods
- Stainless Steel Lift Pins
- Electric Disc Brake
- Emergency Power Disconnect
- Fork Lift of 6"
- Rubber Drive Tire

OPERABILITY & ERGONOMICS

- Cushioned Operator Backrest
- Programmable Performance
- Start Up and Run Time Diagnostics
- Multifunction Control Handle with Ergonomically Angled Hand Grips
- Soft-cushioned Floor Mat
- Operator Sensing Floor Mat
- Speed Reduction in Turns
- Anti-Roll Back



OPTIONAL EQUIPMENT

BODY/EXTERIOR DESIGN

- Single-Tier Accessory Bar
- Double-Tier Accessory Bar
- USB Port for Single Tier Accessory Bar
- Operator Fan
- LED Work Light
- Travel Alarm (both directions)
- Travel Alarm (forward only)
- Travel Alarm (reverse only)
- PIN Code Ccess Pad
- Keyless On/Off Switch
- 2-Amp Power Hook-up, On-Board Terminal
- 10-Amp Power Hook-up, On-Board Terminal
- Premium Power Steer Handle
- Jog Only Buttons
- Operator Compartment Sensor System
- Static Strap
- LBR-Mounted Storage Tray
- Battery-Mounted, Magnetic Storage Tray
- LBR-Mounted Storage Tray w/ Stretch Wrap Holder
- Large Battery-Mounted, Magnetic Storage Tray
- Controller Splash Guard
- Greasable Steer Bearing
- Greasable Bushings
- Lean Pad (Motor Cover)

BATTERY ACCESSORIES

- Battery Compartment 6.63" Width
- Battery Compartment 9.13" Width
- Battery Connector, SB-175, Blue
- Battery Connector, SB-175, Yellow
- Battery Connector, SB-175, Red
- Battery Connector, Option Color, SB-350, Red
- Battery Connector, Right Side
- Battery Connector, SBX175, Red, Left Side
- Battery Connector, SBX175, Gray, Left Side
- Battery Connector, SBX350, Red, Left Side
- Battery Connector, SBX350, Gray, Left Side
- Battery Gate Interlock
- Toyota LIB ESS Tag
- Battery Spacers (front to back)

LOAD HANDLING

- 48" Load Backrest
- 60" Load Backrest
- 72" Load Backrest
- Pallet Centering Guide
- Pallet Entry Rollers

WHEELS

- Single-Axle, Single Wheel Cooling Load Wheel
- Single-Axle, Single Wheel, Vulkollan Load Wheel
- Single-Axle, Single Wheel, Brown Dyalon 95 Durometer
- Single-Axle, Dual Load Wheel
- Single-Axle, Triple Load Wheel
- Dual-Axle, Single Wheel Load Wheel
- Dual Tandem Load Wheels

TIRES

- Poly, Diamond-Grooved Drive Tire
- Soft Poly Drive Tire
- Poly, Siped Drive Tire
- Non-Marking, Rubber Drive Tire
- Poly, Crowned Drive Tire
- Smoothy Drive Tire
- Dyalon B Drive Tire

CASTERS

- Heavy-Duty Casters with Food-Grade Grease
- Heavy-Duty Casters

SPECIAL MODELS

- UL-E Label
- UL-EE Label
- Galvanized Frame
- Cold Storage Conditioning
- Extreme Environment Corrosion Package Non-Cold Storage Conditioning
- Extreme Environment Corrosion Package With Cold Storage Conditioning
- Bilingual Decals
- Special Paint Color
- Export Preparation Packaging

TRUCK SPECIFICATIONS

GENERAL DATA				MODEL NUMBER							
GENERAL DATA				ER1-EF60							
Load Capacity	lb (kg)			6000 (2722)							
Power Type	Battery										
Operator Position	Stand-Up Center Rider										
Tire Type	Drive / Caster / Load			Rubber / Polyurethane / Polyurethane							
Wheels	Drive / Caster / Load			1 Drive / 2 Casters / 2 Load							
EXTERIOR DIMENSIONS				ER1-EF60							
A Fork Length	in (mm)	32 (812)	36 (914)	42 (1067)	48 (1219)	60 (1524)	84 (2134)	93 (2362)	96 (2438)	103 (2616)	
B Fork Width	in (mm)	9 (229)					10 (254)				
C Overall Fork Width	in (mm)	22 (559) or 24 (610) or 27 (686)					22.625 (575) or 24.5 (622) or 27.5 (699)				
D Overall Truck Length	in (mm)	84.6 (2149)	88.6 (2250)	94.6 (2402)	100.8 (2560)	112.6 (2860)	136.4 (3465)	145.4 (3693)	148.4 (3769)	155.4 (3947)	
E Wheelbase	Lowered	in (mm)	50.8 (1290)	54.8 (1392)	60.8 (1544)	66.8 (1697)	78.8 (2002)	87.6 (2225)	87.6 (2225)	94.6 (2403)	
	Raised	in (mm)	46.1 (1171)	50.1 (1273)	56.1 (1425)	62.1 (1577)	74.1 (1882)	82.9 (2106)	82.9 (2106)	89.9 (2283)	
F Turning Radius ¹	Raised	in (mm)	73.3 (1861)	77.3 (1963)	83.3 (2116)	89.4 (2270)	101.5 (2578)	110.4 (2803)	110.4 (2803)	117.5 (2983)	
G Overall Truck Width	in (mm)	37 (940)									
H Fork Height	Lifted ²	in (mm)	9.25 (235)								
	Lifted ³	in (mm)	9.5 to 9.75 (241 to 248)								
	Lowered ²	in (mm)	3.25 (83)								
	Lowered ³	in (mm)	3.75 (95)								
I Fork Lifting Height	in (mm)	6 (152)									
J Power Unit Height	lb (kg)	31.4 (798)									
K Bumper Underclearance	in (mm)	4.5 (114)									
L Step Height	in (mm)	10.5 (267)									
PERFORMANCE DATA				ER1-EF60							
Speeds	Maximum Travel	Full Load	mph (km/h)	6.5 (10.5)							
		No Load	mph (km/h)	9 (14.5)							
Gradeability		Loaded	%	8							
		Unloaded	%	10							
TIRES				ER1-EF60							
Tires	Size (dia. x width)	Drive (front)	in (mm)	12 x 4.75 (305 x 121)							
		Caster (front)	in (mm)	3.25 x 5.91 (83 x 150)							
		Load (rear)	in (mm)	4 x 2.5 (102 x 64)							
POWER SYSTEM				ER1-EF60							
Battery ¹ (6-hour ratings)	Voltage/Capacity	V / Ah	24 / 750								
		Compartment Size	Length	in (mm)	13.13 (334)						
	Width		in (mm)	31 (787)							
	Height		in (mm)	31 (787)							
	Weight	Maximum	lb (kg)	1500 (680)							
Minimum		lb (kg)	490 (222)								
Electric Motors	Drive (60 minutes)	hp (kw)	5.5 (4.1)								
Brake	Electric Disc Brake										

1 Tractor-first only.
 2 At the load wheel.
 3 At the heel.

MODEL NUMBER

GENERAL DATA **ER1-EF80**

Load Capacity	lb (kg)	8000 (3629)
Power Type		Battery
Operator Position		Stand-Up Center Rider
Tire Type	Drive / Caster / Load	Rubber / Polyurethane / Polyurethane
Wheels	Drive / Caster / Load	1 Drive / 2 Casters / 2 Load

EXTERIOR DIMENSIONS **ER1-EF80**

A Fork Length	in (mm)	36 (914)	42 (1067)	48 (1220)	60 (1524)	84 (2134)	93 (2362)	96 (2438)	103 (2616)	115 (2921)	144 (3658)	
B Fork Width	in (mm)	10 (254)										
C Overall Fork Width	in (mm)	27.5 (699)										
D Overall Truck Length	in (mm)	88.6 (2250)	94.6 (2402)	100.8 (2560)	112.6 (2860)	136.4 (3465)	145.4 (3693)	148.4 (3769)	155.4 (3947)	168.6 (4282)	196.4 (4989)	
E Wheelbase	Lowered	in (mm)	54.8 (1392)	60.8 (1544)	66.8 (1697)	78.8 (2002)	87.6 (2225)	87.6 (2225)	87.6 (2225)	94.6 (2403)	119.8 (3043)	115.0 (2921)
	Raised	in (mm)	50.1 (1273)	56.1 (1425)	62.1 (1577)	74.1 (1882)	82.9 (2106)	82.9 (2106)	82.9 (2106)	89.9 (2283)	115.1 (2924)	110.3 (2801)
F Turning Radius ¹	Raised	in (mm)	77.3 (1963)	83.3 (2116)	89.4 (2270)	101.5 (2578)	110.4 (2803)	110.4 (2803)	110.4 (2803)	117.5 (2983)	142.96 (3631)	158.96 (4038)
G Overall Truck Width	in (mm)	37 (940)										
H Fork Height	Lifted ²	in (mm)	9.25 (235)									
	Lifted ³	in (mm)	9.5 to 9.75 (241 to 248)									
	Lowered ²	in (mm)	3.25 (83)									
	Lowered ³	in (mm)	3.75 (95)									
I Fork Lifting Height	in (mm)	6 (152)										
J Power Unit Height	lb (kg)	31.4 (798)										
K Bumper Underclearance	in (mm)	4.5 (114)										
L Step Height	in (mm)	10.5 (267)										

PERFORMANCE DATA **ER1-EF80**

Speeds	Maximum Travel	Full Load	mph (km/h)	6.5 (10.5)
		No Load	mph (km/h)	9 (14.5)
Gradeability		Loaded	%	8
		Unloaded	%	10

TIRES **ER1-EF80**

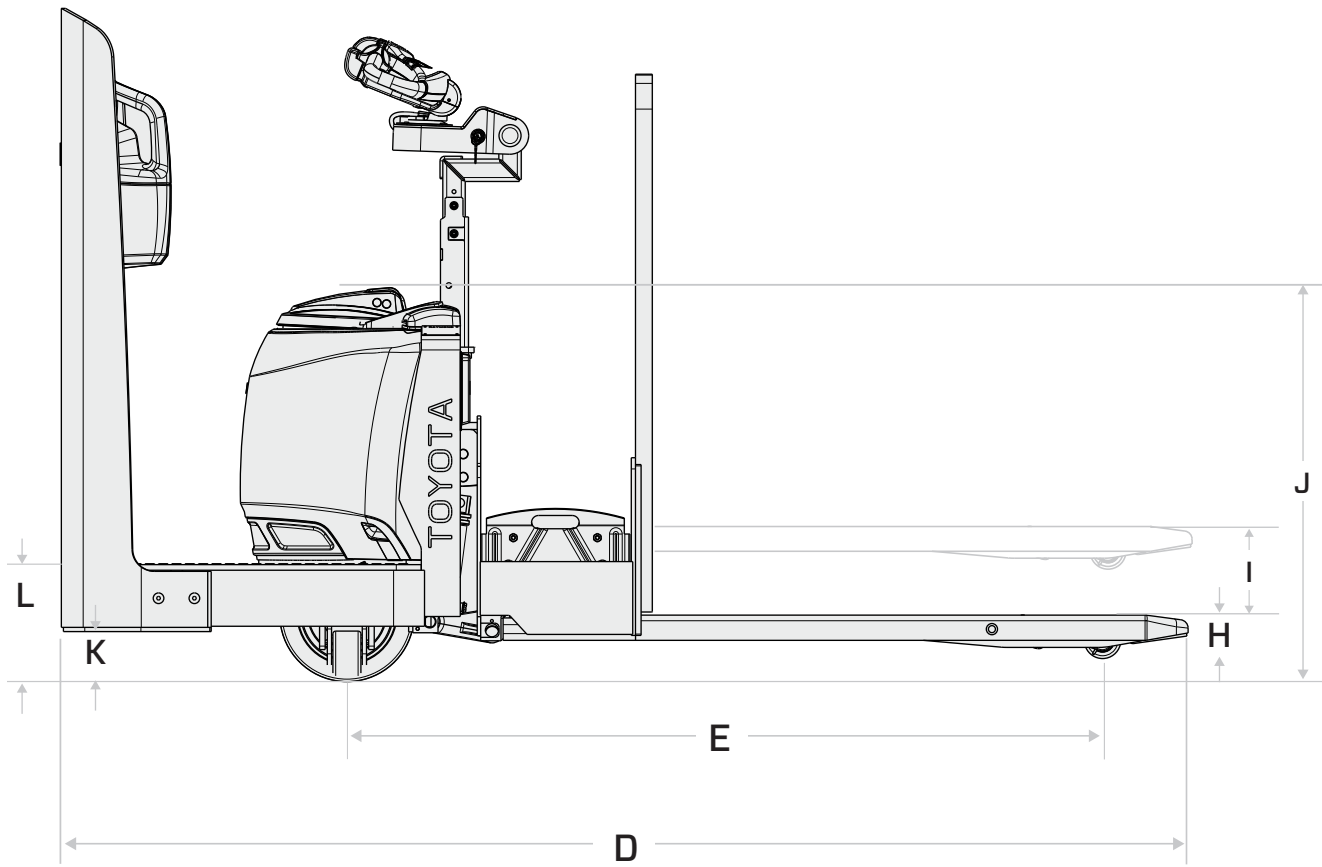
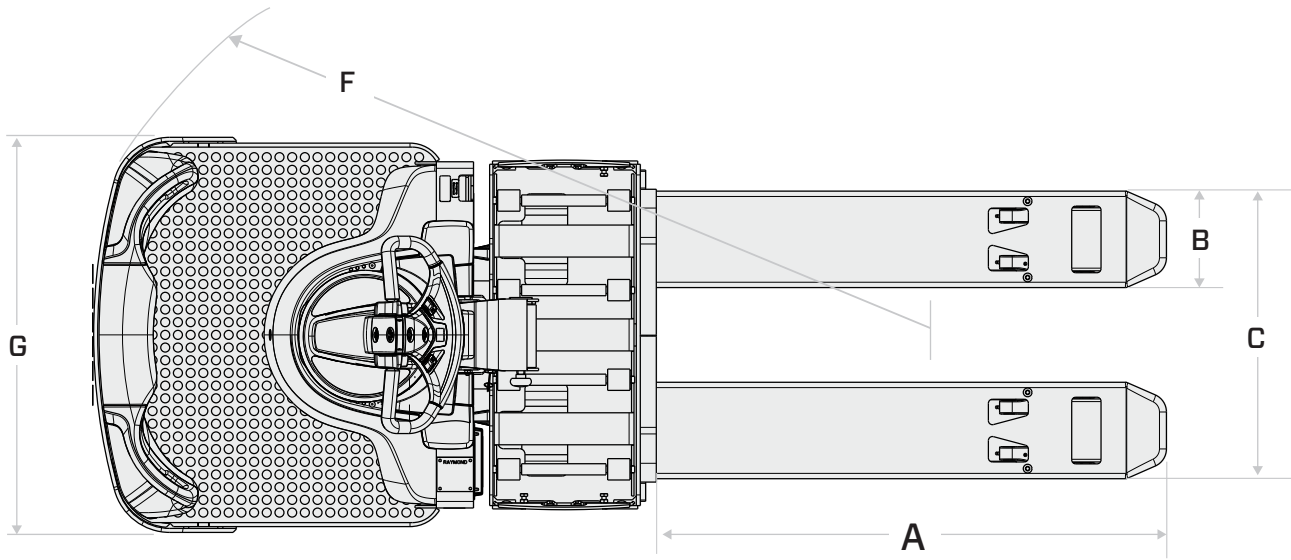
Tires	Size (dia. x width)	Drive (front)	in (mm)	12 x 4.75 (305 x 121)
		Caster (front)	in (mm)	3.25 x 5.91 (83 x 150)
		Load (rear)	in (mm)	4 x 2.5 (102 x 64)

POWER SYSTEM **ER1-EF80**

Battery ¹ (6-hour ratings)	Voltage/Capacity	V / Ah	24 / 750	
		Compartment Size	Length	in (mm)
	Width		in (mm)	31 (787)
	Height		in (mm)	31 (787)
	Weight	Maximum	lb (kg)	1500 (680)
Minimum		lb (kg)	980 (445)	
Electric Motors	Drive (60 minutes)	hp (kw)	5.5 (4.1)	
Brake			Electric Disc Brake	

1 Tractor-first only.
2 At the load wheel.
3 At the heel.

EXTERIOR DIMENSIONS







“THE NAME ON MY SHIRT SAYS TOYOTA, BUT I WORK FOR YOU.”

Alan – 360 Technician, Atlas Toyota Material Handling, Chicago, IL



HELP IS ALWAYS HERE WITH TOYOTA 360 SUPPORT.

The industry’s best and most comprehensive dealer network quickly delivers Toyota Certified Technicians to your work site. These specially trained technicians can also help assess your warehouse and facility needs to recommend the right equipment for the job. And with the largest fleet of used and rental material handling products, Toyota 360 keeps your business running at full speed.

ToyotaForklift.com/360-Support



YOUR BUSINESS IS RIDING ON IT.

Some product features described herein are optional. Please consult your dealer for specifications. Details of specifications and equipment are based on information available at time of printing and may change without notice.