



# X Series Heavy Duty Pneumatic Tire Forklift

with capacity of 44,000 to 77,000lbs



**HANGCHA**

**HC FORKLIFT AMERICA CORPORATION**

**Company Address:**  
1338 Hundred Oaks Drive, Suite DD  
Charlotte, NC 28217

**Toll Free:** (888) 652-8395  
**Phone:** (980) 888-8335  
**Fax:** (980) 888-8336

[america@hcforklift.com](mailto:america@hcforklift.com)  
[www.hcforkliftamerica.com](http://www.hcforkliftamerica.com)



2024 VERSION 2/00P-PRIGHT 2024

HANGCHA GROUP CO., LTD. reserves the right to make any changes without notice concerning colors, equipment, or specifications detailed in this brochure, or to discontinue individual models. The colors of trucks, delivered may differ slightly from those in brochures.

**Making Material Handling Easier**  
SINCE 1956



**HANGCHA**

# COMFORTABLE FULL CABIN



- 1. Great Visibility:** Hangcha designed the cabin and mast to provide operators with great all-round visibility. This allows operators to safely lift and move different materials within their operational environment.
- 2. Ergonomic, Comfortable, & Precise:** The X Series Heavy Duty Pneumatic Forklift features an adjustable full suspension seat, adjustable armrest. In addition, the ergonomic joystick allows operators lift and lower loads smooth and precisely.
- 3. Heated and Cooled:** The fully suspended cabin features a heater and re-designed airconditioner standard. This allows operators to comfortably work in different operational environments.
- 4. Easy-to-See Display:** The large LCD instrument display provides operators with vital information on the forklift's current operating status including fuel level, RPM, gear, hours, speed, coolant temperature, and more. It addition, allows operators to see to see engine status to facilitate maintenance as needed.
- 5. Optional Video System:** The optional video system includes front and rear cameras to increase operational safety and make operating the X Series Heavy Duty Pneumatic Forklift easier.



# FLOATING CABIN

The X Series Heavy Duty I.C. Pneumatic Forklift features a new floating cabin design to provide the operator with a comfortable and safe operating environment.

**Strong Design:** The cabin features a new integral frame made up of steel to increase strength and safety. In addition, the cabin is designed to be tilted for easy access to components.

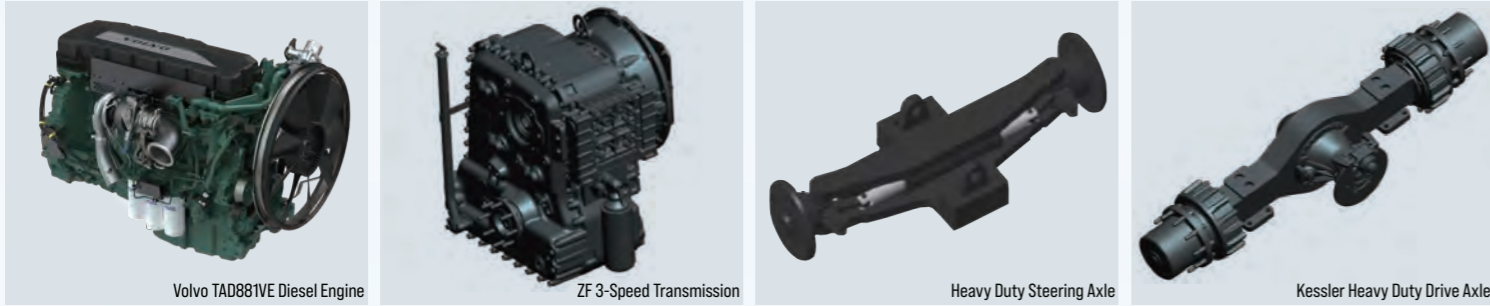
**Floating Cabin:** The design of the connection between the chassis and the cabin helps to isolate the vibrations and chassis movement felt in the operator compartment. This creates a more comfortable environment for the operator.

**Sealed Cabin:** The new floating cabin features a waterproof and dustproof design to keep the operator out of the elements. The cabin is also designed to reduce noise levels while operating the the heavy duty forklift.



# HEAVY DUTY DRIVETRAIN

Hangcha's X Series Heavy Duty Pneumatic Tire Forklift features drivetrain components from well-known industry suppliers to ensure that the forklift can handle the operational environments that heavy duty forklifts with a 44,000-77,000lb forklifts are found in.



**Volvo TAD881VE:** Hangcha uses the powerful Volvo TAD881VE diesel engine in the 44,000-77,000lb X Series Pneumatic Tire Forklift. The Volvo diesel engine is Tier 4F compliant. The engine uses exhaust gas recirculation (EGR), selective catalytic reduction (SCR), diesel oxidation catalysts (DOC), and diesel particulate filters (DPF) to meet the Tier 4F compliance. This engine helps the Hangcha forklifts maximize their efficiency and reliability for the end-user.

**ZF 3 Speed Transmission:** The X Series Heavy Duty Pneumatic Forklift uses the ZF transmission, with micro-electronic control, to provide stable, accurate, and reliable travel with its three-speed power shifting feature.

**Heavy Duty Steering Axle:** The forklift features a single double-acting transverse cylinder steering axle. This heavy duty steering axle, combined with the hydraulic steering and load-sensing steering system, provides operators with an easy way to steer the forklift.

**KESSLER Heavy Duty Drive Axle:** The power of the Volvo diesel engine is transferred to the heavy duty pneumatic forklift's wheels via the heavy duty drive axle. This drive axle features two-stage deceleration, wet brakes, and a hydraulically released spring action parking brake.

# HIGH PERFORMANCE

The X Series Heavy Duty I.C. Pneumatic Forklift was redesigned to increase the performance and efficiency of the heavy duty forklift. This allows operators to be more productive in their operational environment.

**Travel & Lift Speed:** Hangcha's engineering team redesigned the X Series Heavy Duty Forklift to increase the travel and lift speed. This allows operators to move materials more efficiently in their operational environment.

**Load Sensing Hydraulics:** The forklift uses load sensing hydraulics to provide improved efficiency, reduce the hydraulic oil working temperature, and extend the life of hydraulic components and seals. This extends the average operational efficiency by over 15%.

**Increased Strength:** When redesigning the X Series Heavy Duty Pneumatic Forklift, our engineers used CAE (computer aided engineering) to reduce the size of the body, increase the strength of the structural components, and design the forklift to be more flexible in different applications.



# RELIABLE & EASY TO MAINTAIN

Hangcha designed the X Series Heavy Duty I.C. Pneumatic Forklift to be reliable and easy to maintain. By using key components, specific designs, and testing, Hangcha is able to build a reliable forklift that operators can count on.



**Reliable Design:** Hangcha uses an additional controller, CAN bus protocol, built-in diagnostic management functions, and a fault alarm to ensure that the X Series Heavy Duty Forklift is always running optimally. These features give operators peace of mind knowing that the X Series Heavy Duty Forklift will be the reliable partner they need.

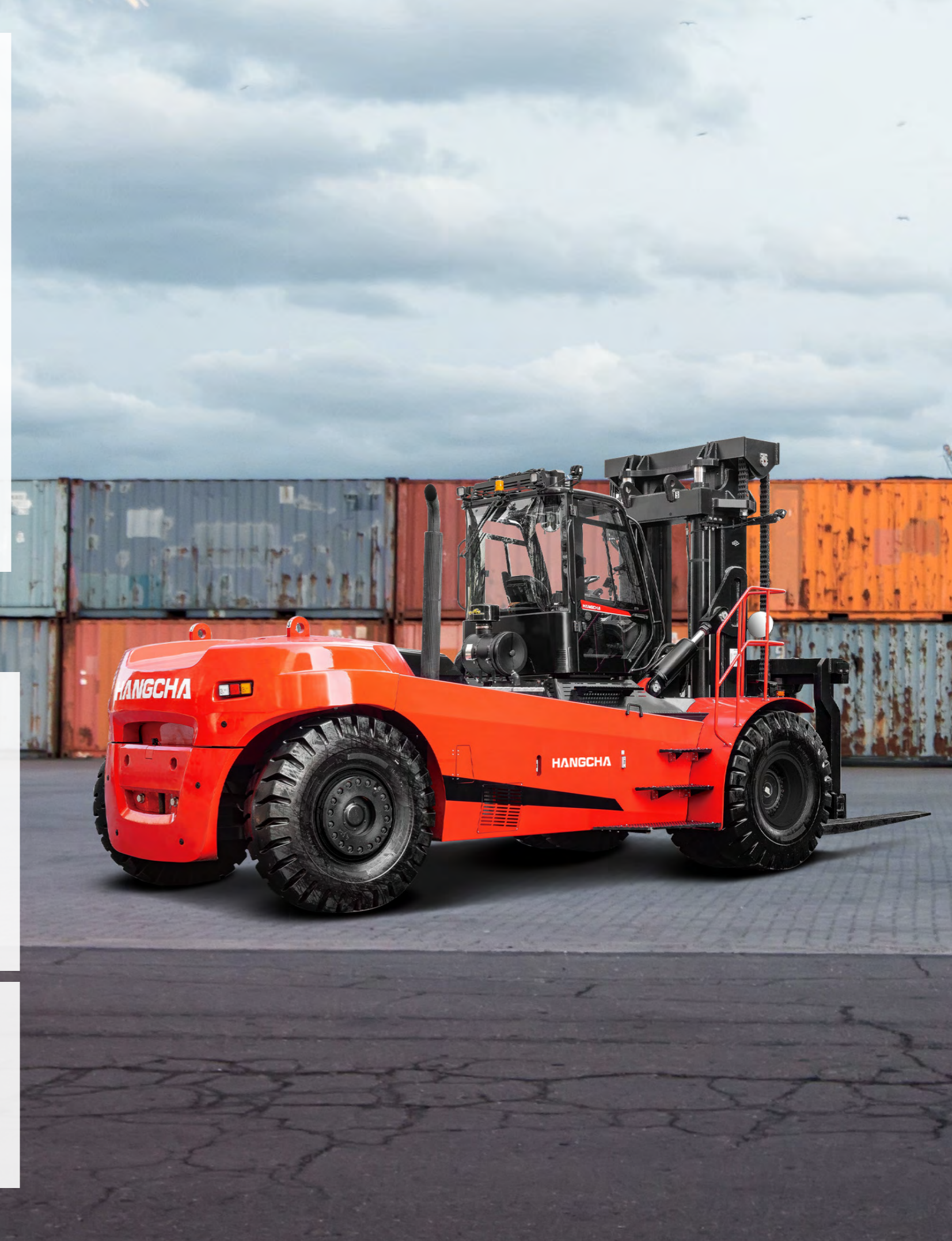
**Easy To Maintain:** The X Series Heavy Duty Pneumatic Forklift features a full cab that can be tilted without any tools. This allows for major components to be easily reached. The forklift also features several compartments, including a battery compartment, that provides easy access to other important components.

## STANDARD CONFIGURATION

- |  |  |   |   |
|--|--|---|---|
| <ul style="list-style-type: none"> <li>/ Limited Free Lift 2 Stage Mast</li> <li>/ Hydraulic Prong Adjustment</li> <li>/ Standard Forks</li> <li>/ Full Cabin</li> <li>/ Air Conditioner &amp; Heater</li> <li>/ Fully Hydraulic Power Steering</li> <li>/ Quadruple Multiway Valve</li> <li>/ Operator Presence Sensing System (OPS)</li> <li>/ Multi-Directional Adjustable Armrest</li> </ul> | <ul style="list-style-type: none"> <li>/ Adjustable Steering Wheel</li> <li>/ Tilting Hydraulic System Self-Locking Valve</li> <li>/ Lifting Hydraulic System Speed Limit Valve</li> <li>/ Overhead Gaurd Exhaust</li> <li>/ Tow Device</li> <li>/ Main Power Switch</li> <li>/ Reverse Camera</li> <li>/ LCD Instrument Display</li> <li>/ Neutral Indicator</li> </ul> | <ul style="list-style-type: none"> <li>/ Parking Braking Indicator</li> <li>/ Charge Indicator</li> <li>/ Pre-heating Indicator</li> <li>/ Oil Pressure Alarm for the Engine</li> <li>/ Air Filter Alarm</li> <li>/ Low Pressure Alarm for the Accumulator</li> <li>/ Hydraulic Oil Filter Alarm</li> <li>/ Oil-Water Separator Alarm</li> <li>/ Engine Failure Alarm</li> <li>/ Highly Efficient LED Lights</li> </ul> | <ul style="list-style-type: none"> <li>/ Water Thermometer</li> <li>/ Oil Gauge</li> <li>/ Oil Temperature Meter</li> <li>/ Engine Hour Meter</li> <li>/ Air Pneumatic Tires</li> <li>/ Reverse Alarm</li> <li>/ Manual Cabin Tilting</li> <li>/ Operator Fan</li> <li>/ Mast Installed LED Working Light</li> <li>/ Toolkit</li> </ul> |
|--|--|---|---|

## OPTIONS

- |   |   |   |  |
|---|---|---|--|
| <ul style="list-style-type: none"> <li>/ Customized Color</li> <li>/ Various Fork Sizes</li> <li>/ Various Mast Specifications</li> <li>/ Solid Pneumatic Tires</li> <li>/ On-board Intercom</li> </ul> | <ul style="list-style-type: none"> <li>/ Reverse Alarm</li> <li>/ Strobe Light</li> <li>/ Front &amp; Rearview Camera (with optional memory)</li> <li>/ Ground Strap</li> </ul> | <ul style="list-style-type: none"> <li>/ Fire Extinguisher (4.4lb/8.7lb)</li> <li>/ Automatic Fire Extinguishing Device</li> <li>/ Speed limiter</li> </ul> | <ul style="list-style-type: none"> <li>/ Blue Light</li> <li>/ Scale</li> <li>/ Air Pre-Cleaner</li> <li>/ Electric Cabin Tilting</li> </ul> |
|---|---|---|--|



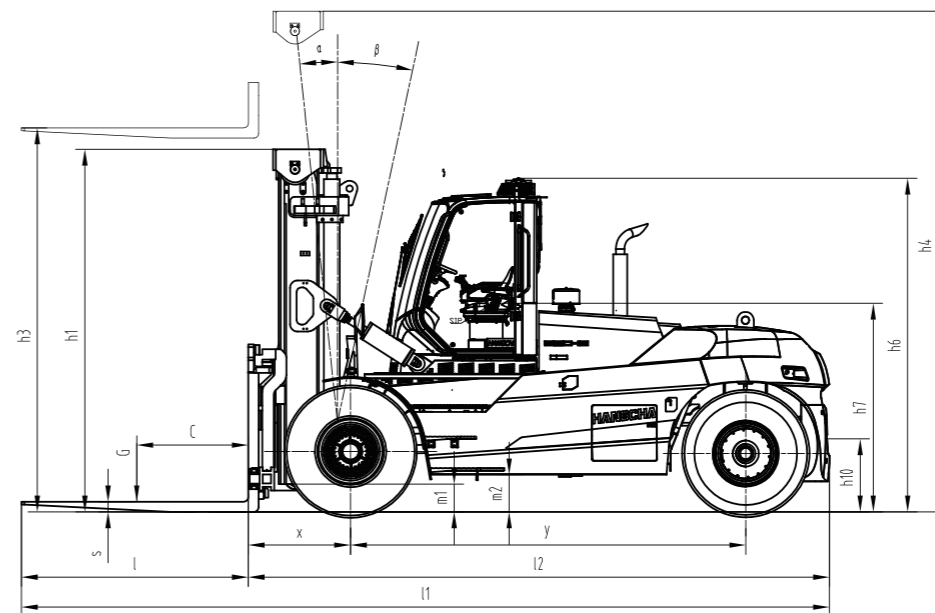
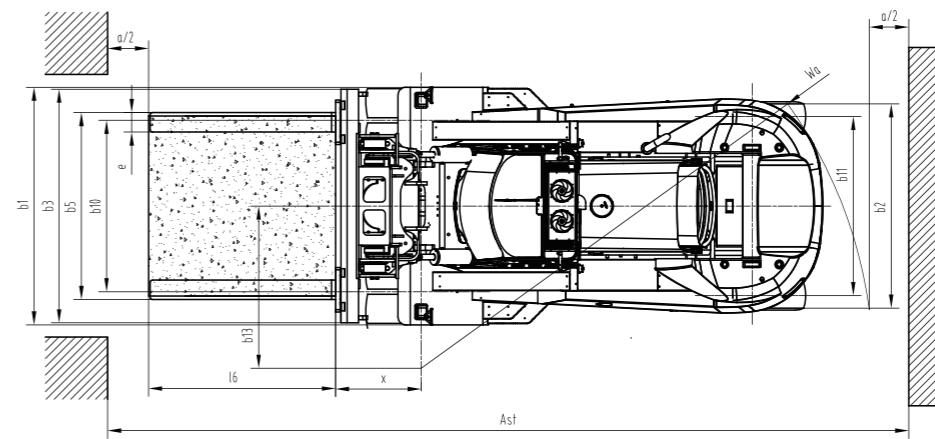
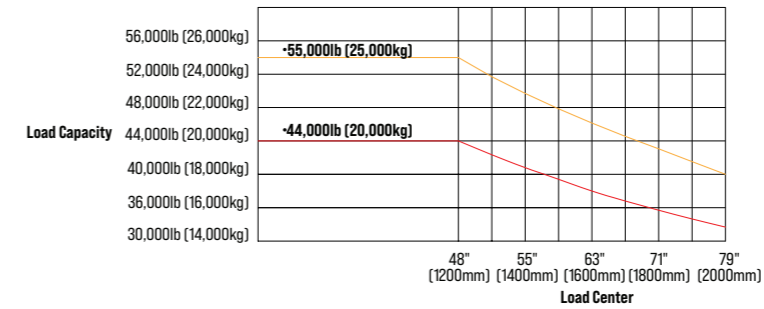
# X Series Heavy Duty Pneumatic Forklift 44,000-55,000lb Specification

			HANGCHA GROUP CO.,LTD.	
			FD200	FD250
Distinguishing Marks	1.1	Manufacturer	HANGCHA GROUP CO.,LTD.	
		HCFA Model Number	FD200	FD250
	1.2	Manufacturer's Type Designation	CPCD200-XRH10G	CPCD250-XRH10G
	1.3	Drive: electric (battery or mains), diesel, petrol, fuel gas	Diesel	Diesel
	1.4	Operator Type: hand, pedestrian, standing, seated, order-picker	Seated	Seated
	1.5	Rated Capacity/Rated Load	Q lb(kg)	44000 (20000) 55000 (25000)
	1.6	Load Centre Distance	c in(mm)	47.2 (1200) 47.2 (1200)
Weight	1.8	Load Distance, centre of drive axle to fork	x in(mm)	43.3 (1100) 43.3 (1100)
	1.9	Wheelbase	y in(mm)	167.3 (4250) 167.3 (4250)
Tires & Chassis	2.1	Service Weight	lb(kg)	73854.9 (33500) 78264.1 (35500)
	3.1	Tires: solid rubber, superelastic, pneumatic, polyurethane		Pneumatic Pneumatic
	3.2	Tire size, front		14.00-24-24PR 14.00-24-28PR
	3.3	Tire size, rear		14.00-24-24PR 14.00-24-28PR
	3.5	Wheels, number front / rear (x = driven wheels)		4x/2 4x/2
	3.6	Tread, front	b10 in(mm)	86.6 (2200) 86.6 (2200)
	3.7	Tread, rear	b11 in(mm)	9036 (2300) 9036 (2300)
Dimensions	4.1	Tilt of Mast/Fork Carriage Forward/Backward	a/β (°)	6/10 6/10
	4.2	Height, mast lowered	h1 in(mm)	153.5 (3900) 153.5 (3900)
	4.3	Free Lift	h2 in(mm)	4.3 (110) 4.3 (110)
	4.4	Lift	h3 in(mm)	157.5 (4000) 157.5 (4000)
	4.5	Height, mast extended	h4 in(mm)	234.3 (5890) 234.3 (5890)
	4.7	Height of Overhead Cabin	h6 in(mm)	140.9 (3580) 140.9 (3580)
	4.8	Seat Height Relating to SIP	h7 in(mm)	88.6 (2250) 88.6 (2250)
	4.12	Coupling Height	h10 in(mm)	28.3 (720) 28.3 (720)
	4.19	Overall Length	l1 in(mm)	342.1 (8690) 342.1 (8690)
	4.20	Length to Face of forks	l2 in(mm)	246.1 (6250) 246.1 (6250)
	4.21	Overall Width	b1/b2 in(mm)	120.1/108.3 (3050/2750) 120.1/108.3 (3050/2750)
	4.22	Fork Dimensions	s/e/l in(mm)	4.3×9.8×94.5 (110×250×2400) 4.3×9.8×94.5 (110×250×2400)
	4.24	Fork-Carriage Width	b3 in(mm)	118.1 (3000) 118.1 (3000)
	4.25	Distance between Fork-Arms	b5 in(mm)	35.4/102.4 (900/2600) 35.4/102.4 (900/2600)
	4.31	Ground Clearance, laden, below mast	m1 in(mm)	11.8 (300) 11.8 (300)
	4.32	Ground Clearance, centre of wheelbase	m2 in(mm)	15.7 (400) 15.7 (400)
	4.34.1	Aisle Width with Load Length 1800mm	Ast in(mm)	375.6 (9540) 375.6 (9540)
4.34.2	Aisle Width with Load Length 2400mm	Ast in(mm)	375.6 (9540) 375.6 (9540)	
4.35	Turning Radius	Wa in(mm)	228.3 (5800) 228.3 (5800)	
4.36	Minimum Pivoting Point Distance	b13 in(mm)	81.9 (2080) 81.9 (2080)	
Performance Data	5.1	Travel Speed, laden/unladen	mph(km/h)	16.8/19.3 (27/31) 16.2/18.6 (26/30)
	5.2	Lift Speed, laden/unladen	ft/s(m/s)	1.1/1.2 (0.35/0.38) 1.1/1.2 (0.34/0.36)
	5.3	Lowering Speed, laden/unladen	ft/s(m/s)	1.5/1.3 (0.45/0.41) 1.5/1.3 (0.45/0.41)
	5.5	Drawbar Pull, laden/unladen	N	160000/- 160000/-
	5.7	Gradeability, laden/unladen	%	25/- 25/-
	5.10	Service Brake		Wet Disc Brake Wet Disc Brake
Combustion Engine		Parking Brake		Spring Applied Hydraulic Release Multi-Disc Brake (SAHR)
		Drive Axle		Kessler Kessler
	7.1	Engine Manufacturer/Type		VOLVO TAD881VE VOLVO TAD881VE
	7.2	Emission STD		Tier 4F Tier 4F
	7.3	Engine Power	hp(kw)	248.1 (185) 248.1 (185)
	7.4	Rated Speed	r/min	2210 2210
		Number of Cylinders/Displacement	(-)/(cm <sup>3</sup> )	6/7700 6/7700
	7.9	Vehicle Electrical System Voltage	V	24 24
	7.10	Battery Voltage/Nominal Capacity	V/Ah	2×12/150 2×12/150
		Rated Torque	Nm/r/min	1150/1400 1150/1400
	Transmissions Manufacturer		ZF ZF	
	Transmissions Type		3WG 211 3WG 211	
	Stage FWD/RVS		3/3 3/3	
Additional Data	10.1	Operating Pressure for Attachments	bar	230 230
	10.2	Oil Volume for Attachments	l/min	300 300
	10.3	Hydraulic Tank Capacity (drain & refill)	liter	420 420
	10.4	Fuel Tank Capacity	liter	420 420
	10.7	Sound Pressure Level at the Driver's Seat	dB (A)	76 76

# 44,000-55,000lb Mast Specification

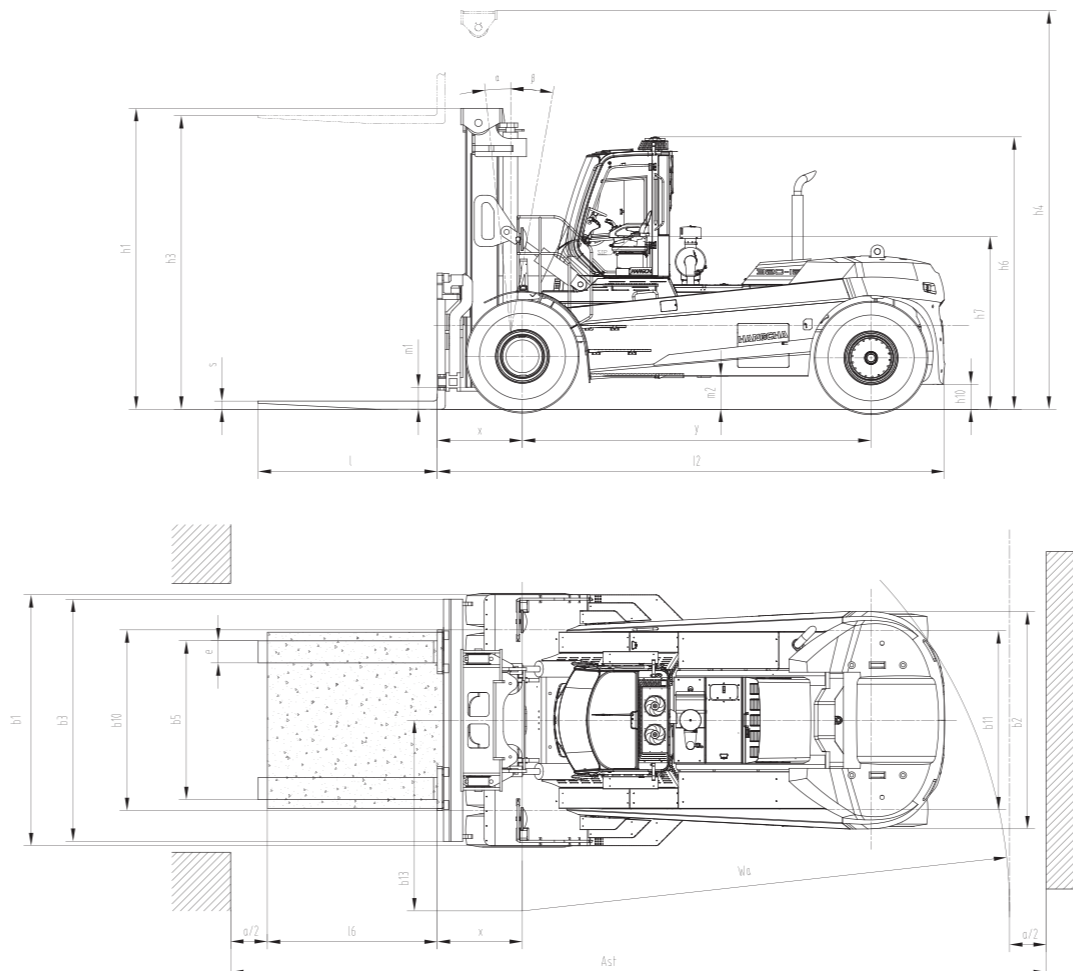
Type	Model	Max. fork height	Overall Height		Tilt Range	Load Capacity	
			Lowered	Extended		44,000lbs (20T)	55,000lbs (25T)
			in (mm)	in (mm)		lb (kg)	lb (kg)
Limited Free Lift Two Stage Mast	GXR250M330	130 (3300)	139.9 (3550)	204.3 (5190)	6/10	44000 (20000)	55000 (25000)
	GXR250M360	141.8 (3600)	145.8 (3700)	216.1 (5490)	6/10	44000 (20000)	55000 (25000)
	GXR250M400	157.6 (4000)	153.7 (3900)	231.8 (5890)	6/10	44000 (20000)	55000 (25000)
	GXR250M430	169.4 (4300)	159.6 (4050)	243.7 (6190)	6/10	44000 (20000)	55000 (25000)
	GXR250M450	177.3 (4500)	163.5 (4150)	251.5 (6390)	6/10	44000 (20000)	55000 (25000)
	GXR250M480	189.1 (4800)	169.4 (4300)	263.3 (6690)	6/10	44000 (20000)	55000 (25000)
	GXR250M500	197 (5000)	175.3 (4450)	273.2 (6940)	6/10	44000 (20000)	55000 (25000)
	GXR250M550	216.7 (5500)	185.2 (4700)	292.9 (7440)	3/6	40785.1 (18500)	51808.1 (23500)
	GXR250M600	236.4 (6000)	197 (5000)	314.5 (7990)	3/6	37478.2 (17000)	48501.2 (22000)
	GXR250M650	256.1 (6500)	206.9 (5250)	334.2 (8490)	3/6	33069 (15000)	44092 (20000)
GXR250M700	275.8 (7000)	218.7 (5550)	355.9 (9040)	3/6	28659.8 (13000)	39682.8 (18000)	

44,000-55,000lb Load Capacity Chart



# X Series Heavy Duty Pneumatic Forklift 60,000-77,000lb Specification

Distinguishing Marks	1.1	Manufacturer	HANGCHA GROUP CO.,LTD.			
	1.2	HCFA Model Number	FD280	FD300	FD320	FD350
	1.3	Manufacturer's Type Designation	CPCD280-XRH10G	CPCD300-XRH10G	CPCD320-XRH10G	CPCD350-XRH10G
	1.4	Drive: electric (battery or mains), diesel, petrol, fuel gas	Diesel	Diesel	Diesel	Diesel
	1.5	Operator Type: hand, pedestrian, standing, seated, order-picker	Seated	Seated	Seated	Seated
	1.6	Rated Capacity/Rated Load	60000 (28000)	66000 (30000)	70000 (32000)	77000 (35000)
	1.7	Load Centre Distance	47.2 (1200)	47.2 (1200)	47.2 (1200)	47.2 (1200)
	1.8	Load Distance, centre of drive axle to fork	45.7 (1160)	45.7 (1160)	45.7 (1160)	46.5 (1180)
	1.9	Wheelbase	187 (4750)	187 (4750)	187 (4750)	187 (4750)
Weight	2.1	Service Weight	88184.9 (40000)	92594.2 (42000)	96121.5 (43600)	102515 (46500)
Tires & Chassis	3.1	Tires: solid rubber, superelastic, pneumatic, polyurethane	Pneumatic	Pneumatic	Pneumatic	Pneumatic
	3.2	Tire size, front	16.00-25-32PR	16.00-25-32PR	16.00-25-32PR	16.00-25-36PR
	3.3	Tire size, rear	16.00-25-32PR	16.00-25-32PR	16.00-25-32PR	16.00-25-36PR
	3.5	Wheels, number front / rear (x = driven wheels)	4x/2	4x/2	4x/2	4x/2
	3.6	Tread, front	b10 in(mm) 96.9 (2460)	96.9 (2460)	96.9 (2460)	96.9 (2460)
	3.7	Tread, rear	b11 in(mm) 96 (2440)	96 (2440)	96 (2440)	96 (2440)
	4.1	Tilt of Mast/Fork Carriage Forward/Backward	a1P (°)	6/10	6/10	6/10
Dimensions	4.2	Height, mast lowered	h1 in(mm) 161.4 (4100)	161.4 (4100)	161.4 (4100)	171.3 (4350)
	4.3	Free Lift	h2 in(mm) 4.3 (110)	4.3 (110)	4.3 (110)	4.9 (125)
	4.4	Lift	h3 in(mm) 157.5 (4000)	157.5 (4000)	157.5 (4000)	157.5 (4000)
	4.5	Height, mast extended	h4 in(mm) 239.8 (6090)	239.8 (6090)	239.8 (6090)	249.6(6340)
	4.7	Height of Overhead Cabin	h6 in(mm) 146.1 (3710)	146.1 (3710)	146.1 (3710)	146.1 (3710)
	4.8	Seat Height Relating to SIP	h7 in(mm) 95.7 (2430)	95.7 (2430)	95.7 (2430)	95.7 (2430)
	4.12	Coupling Height	h10 in(mm) 29.9 (760)	29.9 (760)	29.9 (760)	29.9 (760)
	4.19	Overall Length	l1 in(mm) 368.1 (9350)	368.1 (9350)	368.1 (9350)	368.9 (9370)
	4.20	Length to Face of forks	l2 in(mm) 272.0 (6910)	272.0 (6910)	272.0 (6910)	272.8 (6930)
	4.21	Overall Width	b1/b2 in(mm) 134.6/116.5 (3420/2960)	134.6/116.5 (3420/2960)	134.6/116.5 (3420/2960)	134.6/116.5 (3420/2960)
	4.22	Fork Dimensions	s/e1 in(mm) 4.3x11.8x96.1 (110x300x2440)	4.3x11.8x96.1 (110x300x2440)	4.3x11.8x96.1 (110x300x2440)	4.3x11.8x96.1 (110x300x2440)
	4.24	Fork-Carriage Width	b3 in(mm) 129.9 (3300)	129.9 (3300)	129.9 (3300)	129.9 (3300)
	4.25	Distance between Fork-Arms	b5 in(mm) 39.4/118.1 (1000/3000)	39.4/118.1 (1000/3000)	39.4/118.1 (1000/3000)	39.4/118.1 (1000/3000)
	4.31	Ground Clearance, laden, below mast	m1 in(mm) 11.8 (300)	11.8 (300)	11.8 (300)	11.8 (300)
	4.32	Ground Clearance, centre of wheelbase	m2 in(mm) 17.7 (450)	17.7 (450)	17.7 (450)	17.7 (450)
	4.34.1	Aisle Width with Load Length 1800mm	Ast in(mm) 409.4 (10400)	409.4 (10400)	409.4 (10400)	409.4 (10400)
	4.34.2	Aisle Width with Load Length 2400mm	Ast in(mm) 409.4 (10400)	409.4 (10400)	409.4 (10400)	409.4 (10400)
4.35	Turning Radius	wa in(mm) 259.8 (6600)	259.8 (6600)	259.8 (6600)	259.8 (6600)	
4.36	Minimum Pivoting Point Distance	b1.3 in(mm) 102.4 (2600)	102.4 (2600)	102.4 (2600)	102.4 (2600)	
Performance Data	5.1	Travel Speed, laden/unladen	mph(km/h) 13.7/15.5 (22/25)	13.7/15.5 (22/25)	13.7/15.5 (22/25)	13.7/15.5 (22/25)
	5.2	Lift Speed, laden/unladen	ft/s(m/s) 1.0/1.1 (0.30/0.35)	0.9/1.1 (0.27/0.34)	0.9/1.1 (0.26/0.33)	0.8/1 (0.25/0.32)
	5.3	Lowering Speed, laden/unladen	ft/s(m/s) 1.5/1.5 (0.45/0.45)	1.5/1.5 (0.45/0.45)	1.5/1.5 (0.45/0.45)	1.5/1.5 (0.45/0.45)
	5.5	Drawbar Pull, laden/unladen	N 240000/-	240000/-	240000/-	240000/-
	5.7	Gradeability, laden/unladen	% 20/-	20/-	20/-	20/-
	5.10	Service Brake		Wet Disc Brake	Wet Disc Brake	Wet Disc Brake
	Parking Brake		Spring Applied Hydraulic Release Multi-Disc Brake (SAHR)			
	Drive Axle		Kessler	Kessler	Kessler	Kessler
Combustion Engine	7.1	Engine Manufacturer/Type	VOLVO TAD881VE	VOLVO TAD881VE	VOLVO TAD881VE	VOLVO TAD881VE
	7.2	Emission STD	hp(kw) Tier 4F	Tier 4F	Tier 4F	Tier 4F
	7.3	Engine Power	r/min 248.1 (185)	248.1 (185)	248.1 (185)	248.1 (185)
	7.4	Rated Speed	(-)(cm3) 2210	2210	2210	2210
		Number of Cylinders/Displacement		6/7700	6/7700	6/7700
	7.9	Vehicle Electrical System Voltage	v 24	24	24	24
	7.10	Battery Voltage/Nominal Capacity	V/Ah 2x12/150	2x12/150	2x12/150	2x12/150
		Rated Torque	Nm/r/min 1150/1400	1150/1400	1150/1400	1150/1400
		Transmissions Manufacturer		ZF	ZF	ZF
		Transmissions Type		3WG 211	3WG 211	3WG 211
	Stage FWD/RVS		3/3	3/3	3/3	
Additional Data	10.1	Operating Pressure for Attachments	bar 235	235	235	235
	10.2	Oil Volume for Attachments	l/min 340	340	340	340
	10.3	Hydraulic Tank Capacity (drain & refill)	liter 500	500	500	500
	10.4	Fuel Tank Capacity	liter 500	500	500	500
	10.7	Sound Pressure Level at the Driver's Seat	dB (A) 75	75	75	75



# 60,000-70,000lb Mast Specification

Type	Model	Max. fork height	Overall Height		Tilt Range	Load Capacity			
			Lowered	Extended		F/R	60,000lbs (28T)	66,000lbs (30T)	70,000lbs (32T)
							Load Center 48" (1200mm)	Load Center 48" (1200mm)	Load Center 48" (1200mm)
		in (mm)	in (mm)	in (mm)	(°)	lb (kg)	lb (kg)	lb (kg)	
Limited Free Lift Two Stage Mast	GXR280/320 M360	141.8 (3600)	153.7 (3900)	224.2 (5690)	6/10	60000 (28000)	66000 (30000)	70000 (32000)	
	GXR280/320M400	157.6 (4000)	161.5 (4100)	239.9 (6090)	6/10	60000 (28000)	66000 (30000)	70000 (32000)	
	GXR280/320M430	169.4 (4300)	167.5 (4250)	251.8 (6390)	6/10	60000 (28000)	66000 (30000)	70000 (32000)	
	GXR280/320M450	177.3 (4500)	171.4 (4350)	259.6 (6590)	6/10	60000 (28000)	66000 (30000)	70000 (32000)	
	GXR280/320M480	189.1 (4800)	177.3 (4500)	271.5 (6890)	6/10	60000 (28000)	66000 (30000)	70000 (32000)	
	GXR280/320M500	197 (5000)	183.2 (4650)	281.3 (7140)	6/10	60000 (28000)	66000 (30000)	70000 (32000)	
	GXR280/320M550	216.7 (5500)	193.1 (4900)	301 (7640)	3/6	58421.9 (26500)	62832.1 (28500)	67240.3 (30500)	
	GXR280/320M600	236.4 (6000)	204.9 (5200)	322.7 (8190)	3/6	55115 (25000)	59524.2 (27000)	63933.4 (29000)	
	GXR280/320M650	256.1 (6500)	214.7 (5450)	342.4 (8690)	3/6	50705.8 (23000)	55115 (25000)	59524.2 (27000)	
	GXR280/320M700	275.8 (7000)	226.6 (5750)	364.1 (9240)	3/6	46296.6 (21000)	50705.8 (23000)	55115 (25000)	

# 77,000lb Mast Specification

Type	Model	Max. fork height	Overall Height		Tilt Range	Load Capacity
			Lowered	Extended		77,000lbs (35T)
						Load Center 48" (1200mm)
		in (mm)	in (mm)	in (mm)	(°)	lb (kg)
Limited Free Lift Two Stage Mast	GXR350M360	141.84 (3600)	153.7 (4150)	224.2 (5940)	6/10	77000 (35000)
	GXR350M400	157.6 (4000)	161.5 (4350)	239.9 (6340)	6/10	77000 (35000)
	GXR350M430	169.4 (4300)	167.4 (4500)	251.8 (6640)	6/10	77000 (35000)
	GXR350M450	177.3 (4500)	171.4 (4600)	259.6 (6840)	6/10	77000 (35000)
	GXR350M480	189.1 (4800)	177.3 (4750)	271.5 (7140)	6/10	77000 (35000)
	GXR350M500	197 (5000)	183.2 (4900)	281.3 (7390)	6/10	77000 (35000)
	GXR350M550	216.7 (5500)	193.1 (5150)	301 (7890)	3/6	73854.9 (33500)
	GXR350M600	236.4 (6000)	204.9 (5450)	322.7 (8440)	3/6	70547.9 (32000)
	GXR350M650	256.1 (6500)	214.7 (5700)	342.4 (8940)	3/6	66138.7 (30000)
	GXR350M700	275.8 (7000)	226.6 (6000)	364.1 (9490)	3/6	61729.4 (28000)

